



Features

Series:	V
Type:	80
Code and description:	98810810EN00208204
Customer's code:	-
Colour:	Black

Last drawing

Index: -	Date: -
----------	---------

Application

-

Driveline data

X	1 3/8" Z6 DIN 9611
Y	1 3/8" Z6 DIN 9611
E	620-24.41"
I	635-25"
P	550-21.65"

Overlap

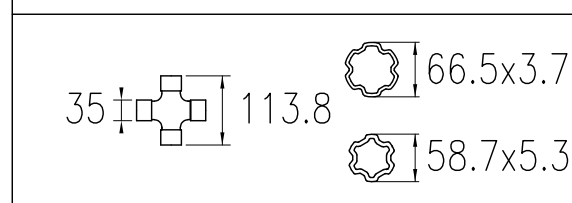
	Steel tubes	Guard
Max.	585-23.03"	530-20.87"
Min.	195-7.68"	140-5.51"

Greasing point

1)	-
2)	-

The dimensioning is cross to cross

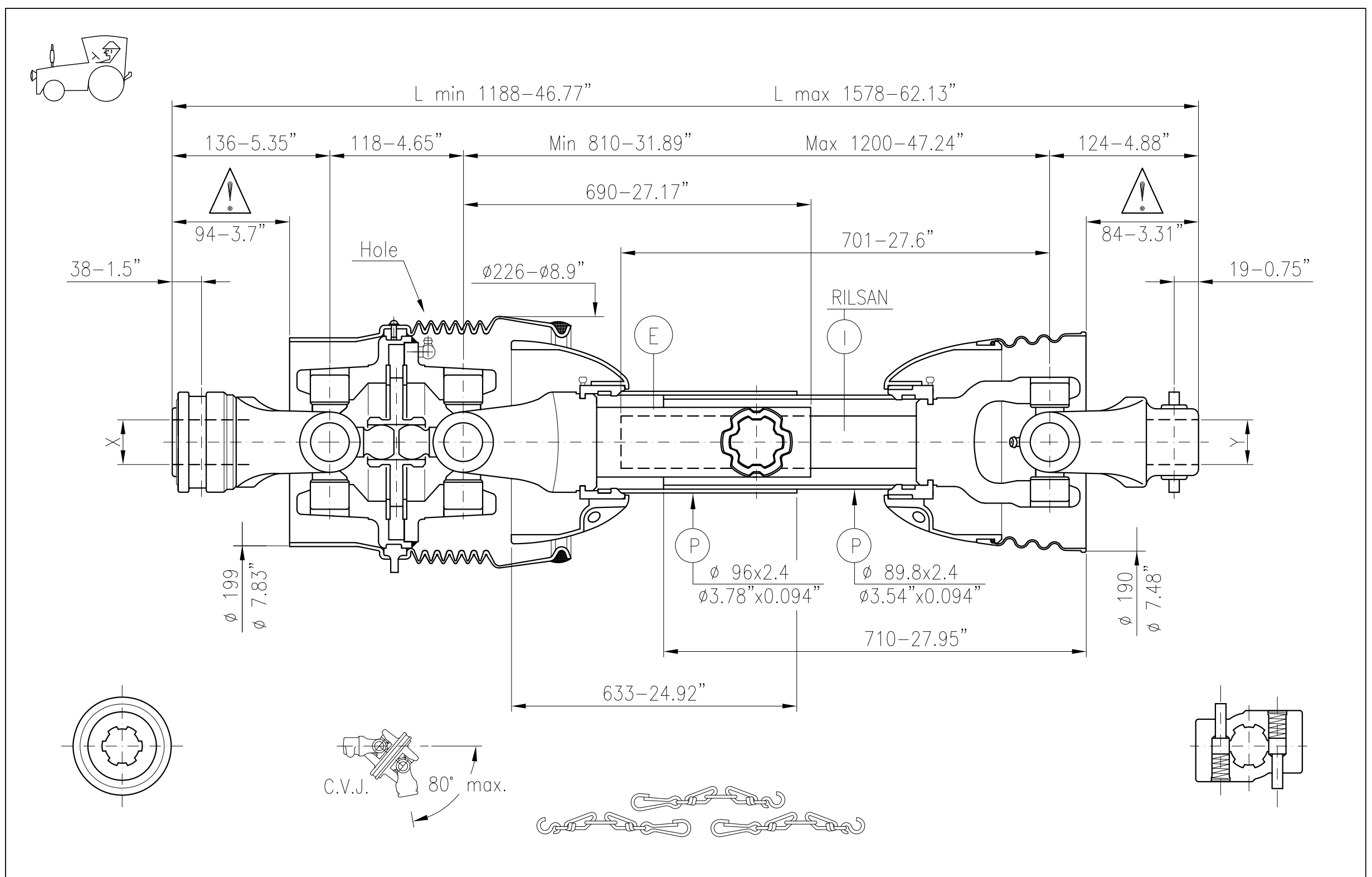
Cross and tubes



End fittings	Max. torque
Tractor Cod: C02	-
Implement Cod: 112	-

Notes:
CE CERTIFIED

Warning ! Sections of driveline marked are not shielded and must be shielded by an interactive guarding system. COMER spa. declines responsibility if proper guards are not provided or maintained.



Data 540 r.p.m.			
KW	CV	Nm.	in.lb.
74	100	1300	11500

Data 1000 r.p.m.			
KW	CV	Nm.	in.lb.
113	154	1080	9550

1100 min.⁻¹
 r.p.m. max.

Data for only critical velocity	
540 r.p.m.	1000 r.p.m.
Max. -	Max. -
L max. -	L max. -
Checked:	Signed by: A.S.

Customer:
 - -
Date: 31-10-17

Continuous operation data and conditions, working angle 5°, average life 1000 hours